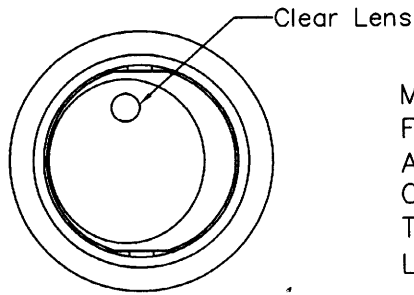
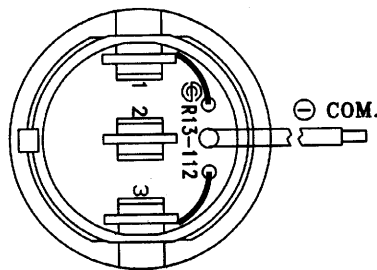
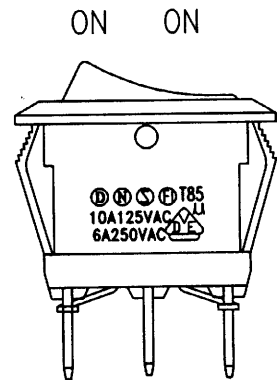
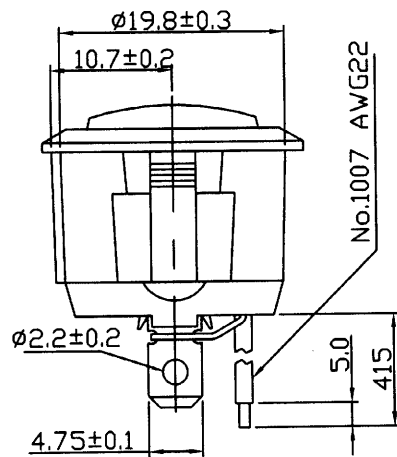
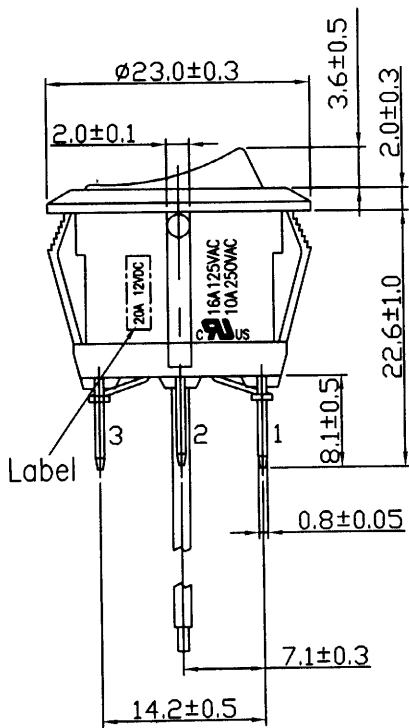
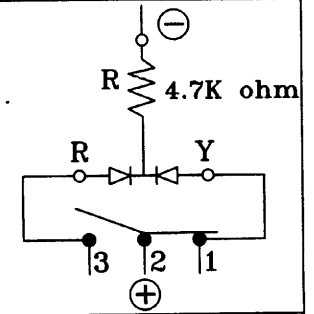


Rating	20A 12V DC	Mounting Hole	
Contact Resistance	50m ohm Max.		
Insulation Resistance	DC 500V 100M ohm Min.		
Dielectric Strength	AC 1500V 1 minute		
Operation Temperature	-20°C~85°C		
Switch Function	3P SPDT ON-ON		



Material:
 Frame: Nylon 66 (94-V2), Black
 Actuator: Nylon 66 (94-V2), Black
 Clear Lens: PC Clear (94-V2),
 Terminals: Silver plated, Copper alloy
 LED: Bi-colour LED

Diagram



C8\R13\R13-112CL-02

							△
							△
							NO
Date	Name	Description			Model Name	ROCKER SWITCH	
6/28/'07	徐洲迎	研發部	2007-7-6	Customer No.	Model No.	R13-112CL-02	
	李元生			Unit	mm	SHIN CHIN INDUSTRIAL CO., LTD.	